



Kanson Electronics, Inc.

INDUSTRIAL SOLID STATE TIMER

MODEL 1012 PLUG-IN

SPECIFICATIONS

INPUT

VOLTAGE: 120VAC, 24VAC
FREQUENCY: 50/60 Hz
TOLERANCE (VOLTAGE): ± 15% of nominal
POWER CONSUMPTION: 10VA maximum
TRANSIENT PROTECTION: Isolation transformer (120VAC only)

OUTPUT

TYPE: Electromechanical relay
MECHANICAL LIFE: 10,000,000 operations
ELECTRICAL LIFE: 300,000 operations
RATING: 10A - 1/6HP at 120VAC, 1/3HP at 240VAC

TIMING

AVAILABLE TYPE: On delay, Off Delay, Pulsed Interval, Maintained Interval
REPEAT ACCURACY: ± 1% of setting
RESET TIME: 50msec maximum
INDICATION: Optional LED - ON when timing
TIMING RAMP: .06sec minimum time - 100K ohm/sec
.5sec minimum time - 10K ohm/sec
TIME RANGE: 0.06 to 500 secs in 12 ranges
RANGE TOLERANCE: ≤ 10% at maximum, ≤ 0% at minimum
CONTROL: isolated contact closure
CONTROL TERMINALS: 5-6
VOLTAGE PRESENT AT CONTROL TERMINALS: 24VDC minimum, 40VDC maximum

PHYSICAL

OPERATING TEMP: 0° to 50° C (32° to 120°F)
TIMING VARIATION VS. TEMP: ± 5% maximum
MOUNTING: Plug-in
TERMINATION: 12 pin socket
HOUSING: Metal



**On Delay
Off Delay**

**Pulsed Interval
Maintained Interval**

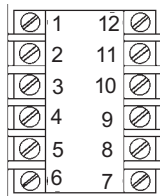
The **1012** is easy to install or replace, keeping downtime to a minimum. The 12 pin base allows both DPDT output and remote adjust connections.

WIRING

OUTPUT B

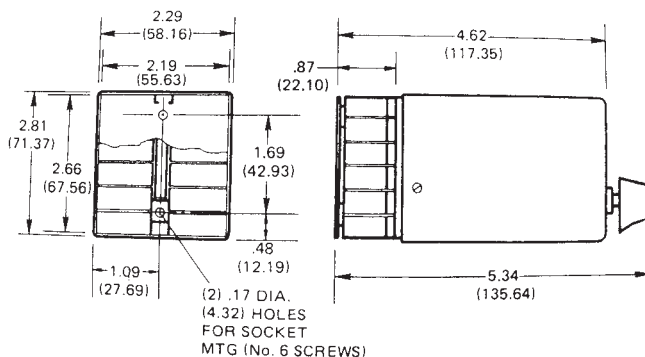
- 1-2 Voltage input (constant)
- 3-4 Remote adjust (jumper if not used)
- 5-6 Control (starts timing function)
- 7-8 N.O. timed
- 8-9 N.C. timed
- 10-11 N.O. timed
- 11-12 N.C. timed

Wiring Terminal Location



Caution: never apply voltage to 3-4-5-6

DIMENSIONS Inches (millimeters)



ORDERING DATA

ORDERING CODE

1012 - 1 - G - 1 - B OP6

BASIC MODEL NUMBER

1012

INPUT VOLTAGE

1 120 VAC

2 24 VAC

TIME RANGE

A .06-.10

F .06-5.0

L .5-250

B .06-.25

G .06-10.0

M .5-500

C .06-.50

H .06-25.0

W (fixed time)

D .06-1.0

J .5-50.0

(see note)

E .06-2.5

K .5-100

Note: Specify W; desired fixed time set by factory

TIMING FUNCTION

1 On delay

4 Pulsed Interval

2 Off Delay

5 Maintained Interval

OUTPUT

B Relay DPDT

OPTION (if desired)

OP6 Timing indication light

ACCESSORIES

See accessory section for details

Potentiometers RP201-RP210

Locking attachment RP217

Reference dial RP216

12 pin socket RP301

(one included with unit)