



Repeat Cycle

The **1068** features repeat cycle operation in a compact, plug-in unit, ON and OFF times are independently adjustable in 16 programmable time ranges from 0.1 seconds to 500 hours. An auto-calibrating dial provides direct reading of time setting in every range. Operating voltage options are available from 12VDC to 240VAC. LED indicators for output on and output off complete the package. Now available with plug-in or screw terminal base.



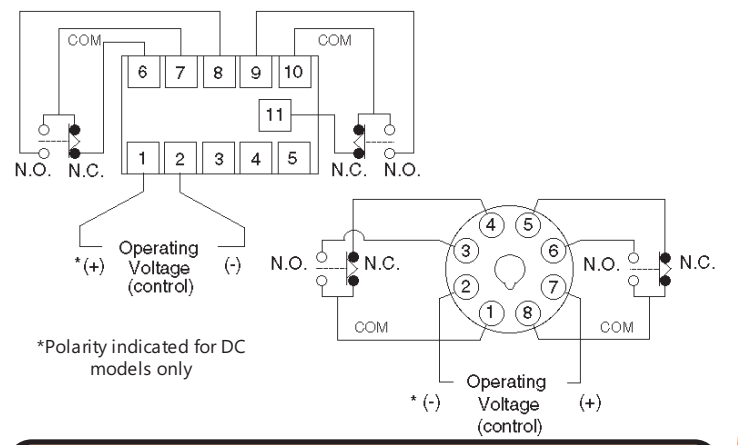
SPECIFICATIONS

INPUT	VOLTAGE: 100-240 VAC, 24 VAC/DC, 12VDC
	FREQUENCY: 50/60 Hz (AC models)
	TOLERANCE (VOLTAGE): - 15% to + 10% of nominal
OUTPUT	POWER CONSUMPTION: 10VA (100-240 VAC) 2.5VA (24 VAC) 2W (12 VDC & 24VDC)
	TRANSIENT PROTECTION: MOV
	TYPE: Electromechanical relay
TIMING	MECHANICAL LIFE: 20,000,000 operations
	ELECTRICAL LIFE: 100,000 operations minimum (at full rated load)
	RATING: 5A @ 240VAC (resistive)
PHYSICAL	REPEAT ACCURACY: ± 0.3% of setting
	TIMING RANGE: 0.1 secs to 500 hours in 16 ranges
	RESET TIME: 300 msec minimum
PHYSICAL	OPERATING TEMP: -10° to 50° C (14° to 122°F)
	TIMING VARIATION VS. TEMP: ± 2% maximum
	MOUNTING: Plug-In or Panel mount
	TERMINATION: 8 pin socket or screw terminals
	HOUSING: Polycarbonate
	DEGREE OF PROTECTION: IP50(std), IP65(special)

ORDERING DATA

ORDERING CODE	1068 - 1 - P - 9 - B - 1 - 1			
BASIC MODEL NUMBER	1068			
INPUT VOLTAGE	1 120-240 VAC 3 24 VAC/DC 5 12 VDC			
TIME RANGE	P (Includes the following ranges)			
	seconds	minutes	hours	10 hours
	0.1 to 1.0	0.1 to 1.0	0.1 to 1.0	1.0 to 10
	0.5 to 5.0	0.5 to 5.0	0.5 to 5.0	5.0 to 50
	1.0 to 10	1.0 to 10	1.0 to 10	10 to 100
	5.0 to 50	5.0 to 50	5.0 to 50	50 to 500
TIMING FUNCTION	9 Repeat Cycle			
OUTPUT	B Relay DPDT			
TERMINATION	1 8 pin plug-in base 2 Screw terminals			
DEGREE OF PROTECTION	1 IP50 Standard 2 IP65 Sealed unit(special order only)			
APPLICABLE ACCESSORIES	See accessory section for details			
	8 pin socket	RP-320		
	8 pin reversible socket	RP-321		
	8 pin cable socket	RP-323		
	Panel mount clip	RP-325		
	Stop rings	RP-327		

WIRING



DIMENSIONS Inches (millimeters)

