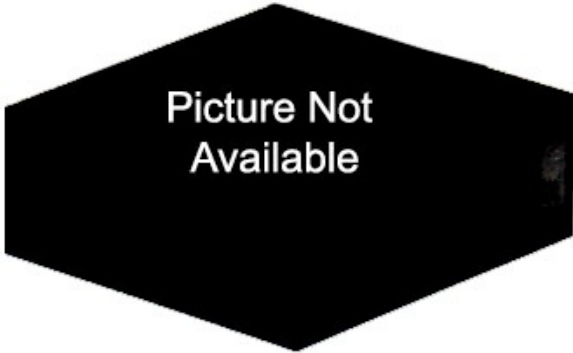




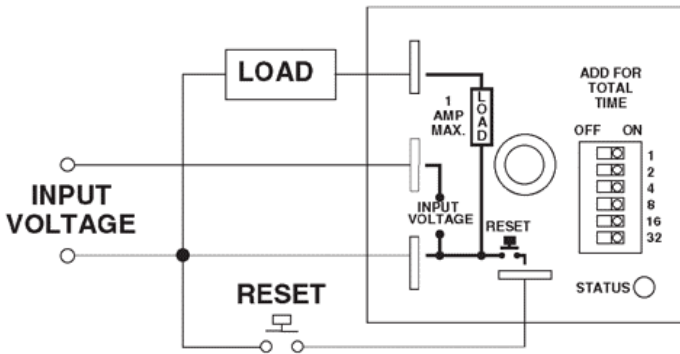
Kanson Electronics, Inc.

Model: 2210



The 2210 is designed for use as a maintenance reminder or lockout, it starts timing upon application of input power and retains count during removal of power. Input power frequency is used for an accurate time base. A six position dip switch selects the desired time delay. Switch settings can only be changed when output is on. A status LED indicates unit is timing. The solid state 1 Amp output can handle a variety of loads.

WIRING



SPECIFICATIONS

INPUT

VOLTAGE: 24VAC, 120 VAC or 240 VAC
FREQUENCY: 50/60 Hz
TOLERANCE (VOLTAGE): ± 15% of nominal
POWER CONSUPTION: 2VA maximum
TRANSIENT PROTECTION: Protected

OUTPUT

TYPE: Solid State N.O. Zero Voltage Crossing
RATING: 1A @ 240VAC/DC max.

TIMING

AVAILABLE TYPES: On Delay
REPEAT ACCURACY: RESET TIME INDICATION: TIMING RAMP: 1 minute
TIME RANGE: to 10230 days in 3 ranges
RANGE TOLERANCE: <250 msec per application of power
CONTROL: Power applied to input initiates timing cycle
CONTROL TERMINALS: VOLTAGE PRESENT AT CONTROL TERMINALS:

PHYSICAL

OPERATING TEMP: 0°C to 70°C (-32° to 155° F) extended temperature range available - contact factory
TIMING VARIATION VS. TEMP: MOUNTING: Surface with #8 or #10 screw
TERMINATION: 0.250 inch male quick connect terminals
HOUSING: Plastic

DIMENSIONS

