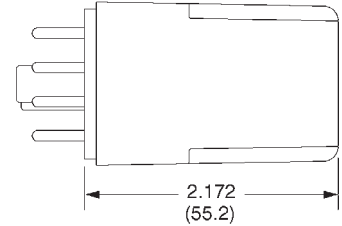
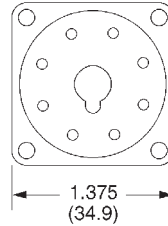
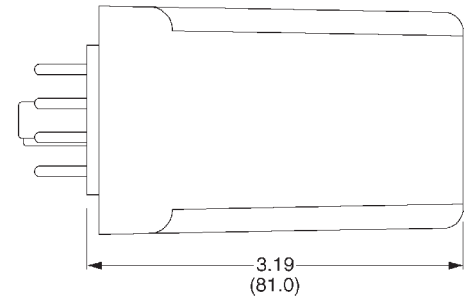
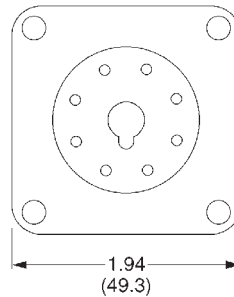


OUTPUT DEVICES



RP-101

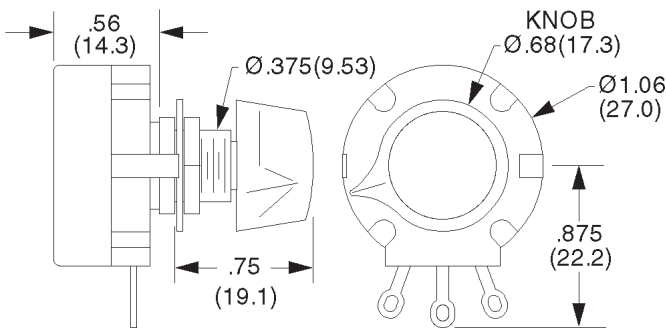
RP-101 24 VDC, DPDT Relay, 8-Pin, Plug-in



RP-103, RP-104, RP-105 and RP-106

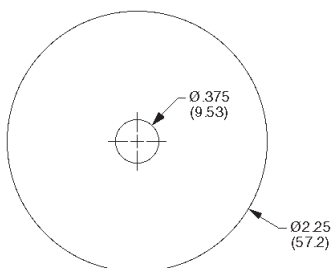
RP-103 1.0A N.O. Solid State, 8-Pin, Plug-in
RP-104 1.5A N.O. Solid State, 8-Pin, Plug-in
RP-105 1.5A N.C. Solid State, 8-Pin, Plug-in
RP-106 1.5A 1 N.O., 1 N.C. Solid State, 8-Pin, Plug-in

POTENTIOMETERS AND RELATED HARDWARE



RP-201 to RP-210

- | | |
|---------------|---------------|
| RP-201 | 10k Ω |
| RP-202 | 25k Ω |
| RP-203 | 50k Ω |
| RP-204 | 100k Ω |
| RP-205 | 250k Ω |
| RP-206 | 500k Ω |
| RP-207 | 1.0M Ω |
| RP-208 | 2.5M Ω |
| RP-209 | 5.0M Ω |
| RP-210 | 10M Ω |



RP-216 Reference dial for remote pots

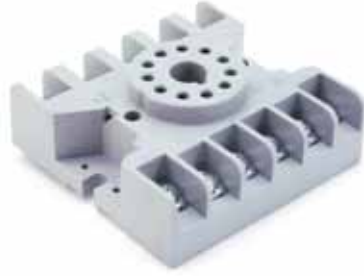
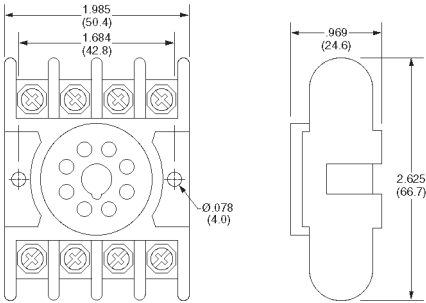


RP-217 Locking attachment for RP-201 to RP-210

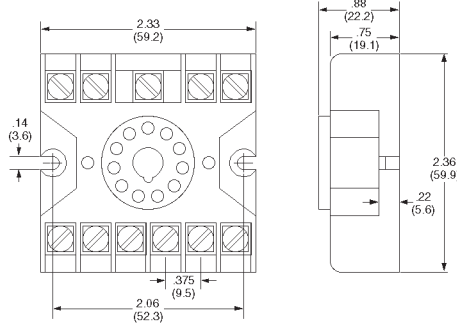
SOCKETS



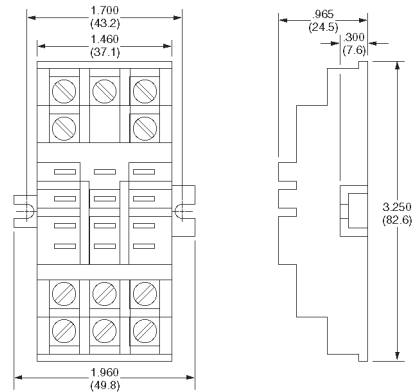
RP-302 8 pin socket, panel mount only



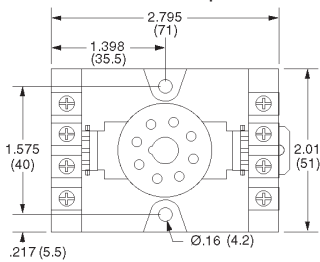
RP-303 11 pin socket, panel mount only



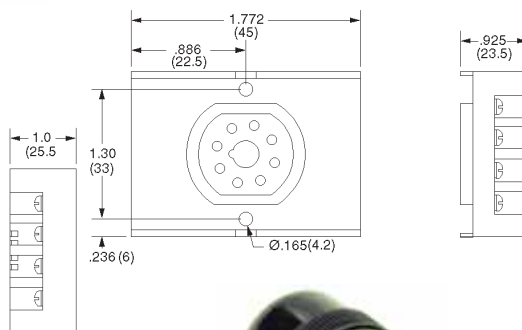
RP-304 11 pin flat terminal socket, panel mount only



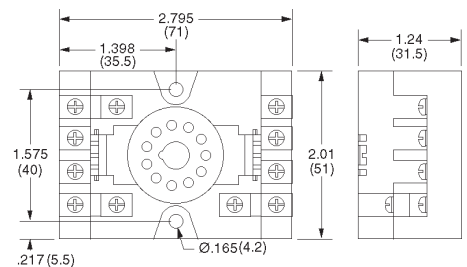
RP-320 8 pin socket, DIN rail or panel mount, with hold-down clips



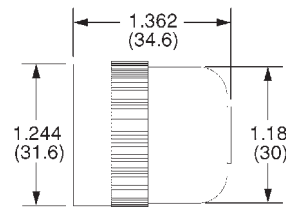
RP-321 8 pin reversed socket, permits wiring from rear of unit when panel mounting



RP-322 11 pin socket, DIN rail or panel mount, with hold-down clips



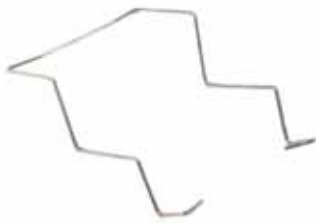
RP-324 11 pin cable socket



RP-323 8 pin cable socket (not shown)

MISCELLANEOUS HARDWARE

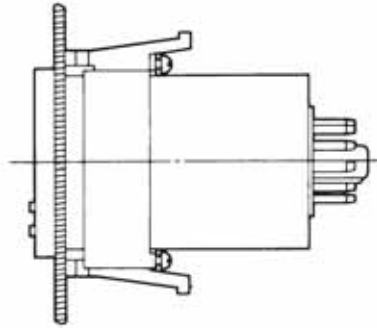
RP-306 Hold down clip



RP-305 Hold down clip



RP-311 Timing indication light

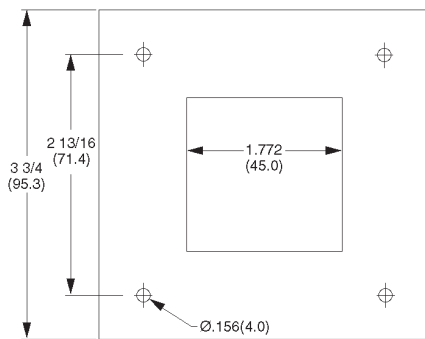


RP-325 Panel mounting clamp for DIN timers

RP-326 Protective cover, Clear, 1094, 1095, 1096 or 1105C only



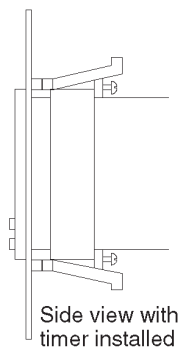
RP-327 Stop/locking rings, fits over dial on DIN timers. For units with numbers that end in -1 or -2 only.



Material : 16 ga steel, gray primer

RP-330 Adapter plate permits replacement of ATC 305, 310, 325 & 335 and Eagle Signal CA, CE, CD, CT, CX, HG, HQ, HP & HZ products with the ISSC Model 1068, 1073, 1081, 1090, 1094, 1095, 1096, & 1105C.

No modification of the existing panel cut-out is required. Simply remove the existing timer or counter and install the ISSC RP-330 in its place using 6-32 hardware. The appropriate ISSC timer or counter may now be installed into the "new" panel opening by utilizing an ISSC model RP-325 panel mount clamp. (one RP-325 is included with digital models but must be ordered separately for analog models)



RP-503 2m cable with connector for 1248A or 1250
RP-503-5 same as above 5m long

