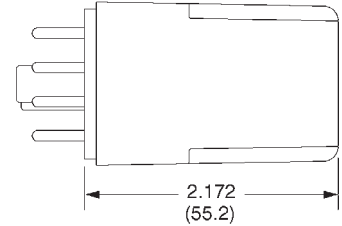
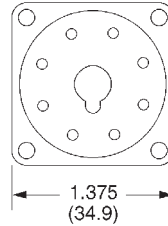
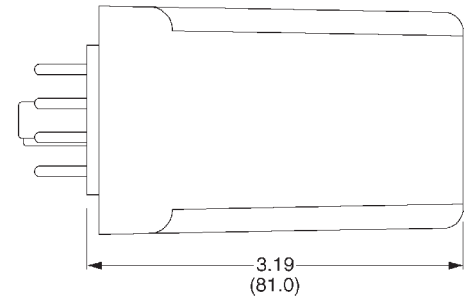
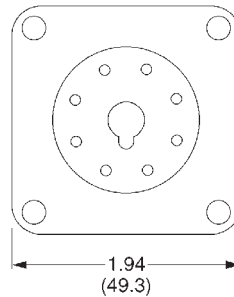


## OUTPUT DEVICES



**RP-101**

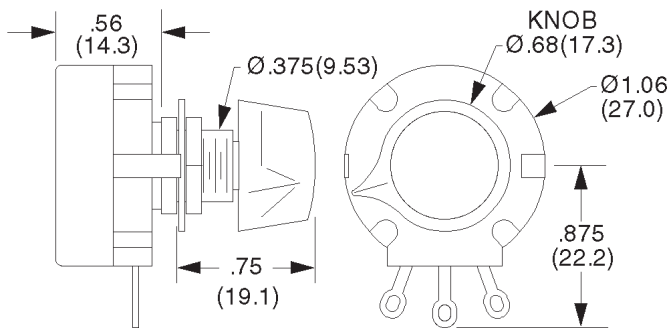
**RP-101** 24 VDC, DPDT Relay, 8-Pin, Plug-in



**RP-103, RP-104, RP-105 and RP-106**

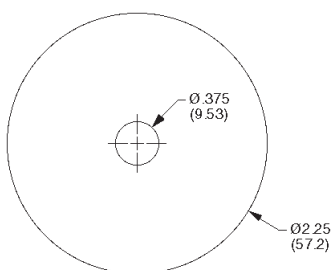
**RP-103** 1.0A N.O. Solid State, 8-Pin, Plug-in  
**RP-104** 1.5A N.O. Solid State, 8-Pin, Plug-in  
**RP-105** 1.5A N.C. Solid State, 8-Pin, Plug-in  
**RP-106** 1.5A 1 N.O., 1 N.C. Solid State, 8-Pin, Plug-in

## POTENTIOMETERS AND RELATED HARDWARE



**RP-201 to RP-210**

- RP-201** 10k $\Omega$
- RP-202** 25k $\Omega$
- RP-203** 50k $\Omega$
- RP-204** 100k $\Omega$
- RP-205** 250k $\Omega$
- RP-206** 500k $\Omega$
- RP-207** 1.0M $\Omega$
- RP-208** 2.5M $\Omega$
- RP-209** 5.0M $\Omega$
- RP-210** 10M $\Omega$



**RP-216** Reference dial for remote pots

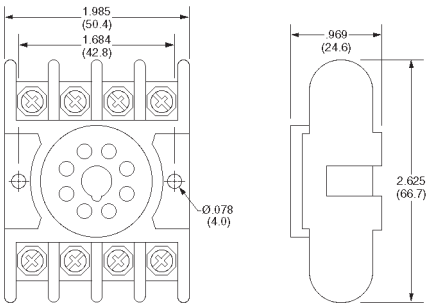


**RP-217** Locking attachment for RP-201 to RP-210

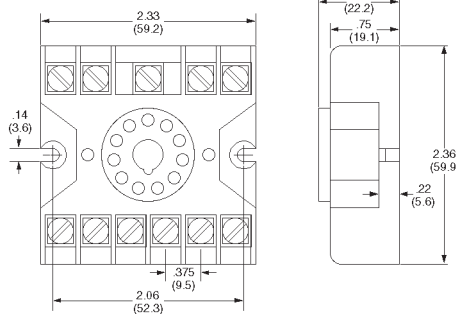
**SOCKETS**



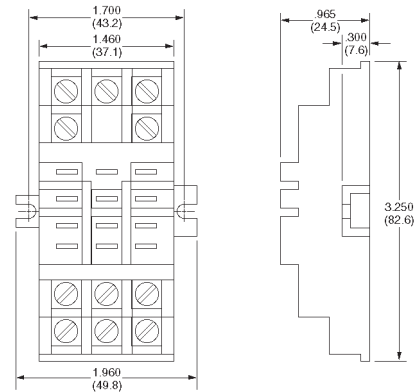
**RP-302** 8 pin socket, panel mount only



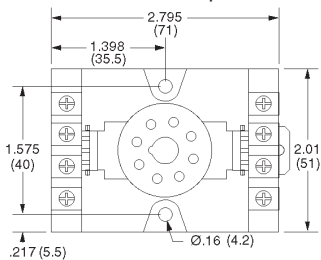
**RP-303** 11 pin socket, panel mount only



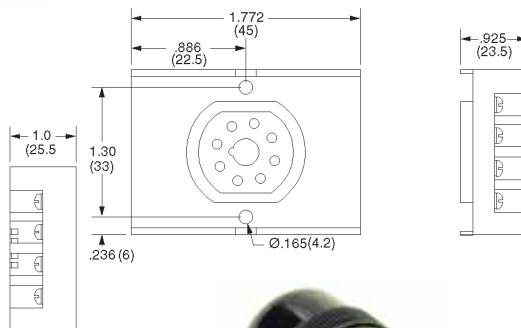
**RP-304** 11 pin flat terminal socket, panel mount only



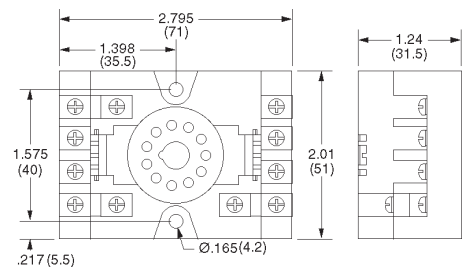
**RP-320** 8 pin socket, DIN rail or panel mount, with hold-down clips



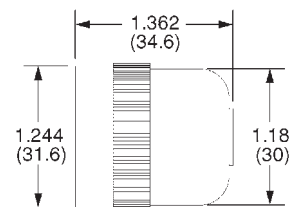
**RP-321** 8 pin reversed socket, permits wiring from rear of unit when panel mounting



**RP-322** 11 pin socket, DIN rail or panel mount, with hold-down clips



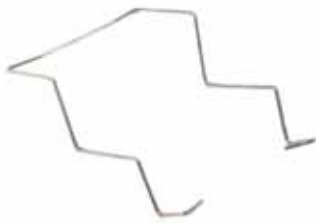
**RP-324** 11 pin cable socket



**RP-323** 8 pin cable socket (not shown)

## MISCELLANEOUS HARDWARE

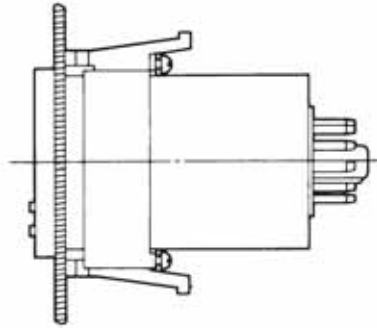
**RP-306** Hold down clip



**RP-305** Hold down clip



**RP-311** Timing indication light

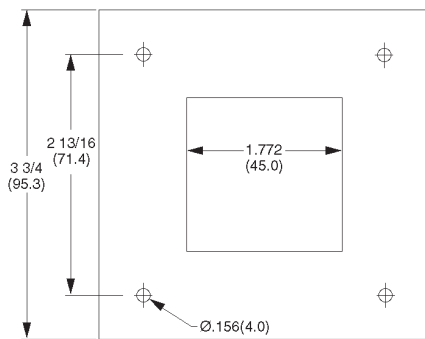


**RP-325** Panel mounting clamp for DIN timers

**RP-326** Protective cover, Clear, 1094, 1095, 1096 or 1105C only



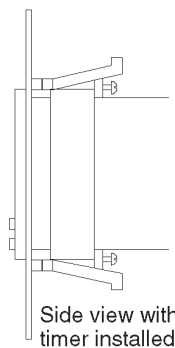
**RP-327** Stop/locking rings, fits over dial on DIN timers. For units with numbers that end in -1 or -2 only.



Material : 16 ga steel, gray primer

**RP-330 Adapter plate** permits replacement of ATC 305, 310, 325 & 335 and Eagle Signal CA, CE, CD, CT, CX, HG, HQ, HP & HZ products with the ISSC Model 1068, 1073, 1081, 1090, 1094, 1095, 1096, & 1105C.

No modification of the existing panel cut-out is required. Simply remove the existing timer or counter and install the ISSC RP-330 in its place using 6-32 hardware. The appropriate ISSC timer or counter may now be installed into the "new" panel opening by utilizing an ISSC model RP-325 panel mount clamp. (one RP-325 is included with digital models but must be ordered separately for analog models)



**RP-503** 2m cable with connector for 1248A or 1250  
**RP-503-5** same as above 5m long

