

MODEL 1510 DIN RAIL MOUNT

INDUSTRIAL SOLID STATE CONTROLS



Kanson Electronics, Inc.



True Off Delay Din Rail Mount Continuous Duty Dual Power Supplies

The 1510 is a True off delay timer, built specifically for continuous duty operation. For electric utility applications capable of high voltage DC switching. No power is required during off timing cycle. Din-Rail mounted housing with finger-safe electrical connectors - IP20 Rating
Reinforced Isolation for Relays (Sealed Relays)
Timed and Instantaneous contacts

ORDERING DATA

ORDERING CODES **1510 - A - 4 - B**

BASIC MODEL NUMBER _____

1510

INPUT VOLTAGE _____

- A 18 to 72 VAC/DC
- B 90 to 300 VAC / 120 to 320 VDC
- C 80 to 160 VAC / 45 to 155 VDC

TIME RANGE _____

- 1 0.1 - 5 Seconds
- 2 0.5 - 10 Seconds
- 3 0.5 - 60 Seconds / 1 Minute
- 4 1 - 300 Seconds / 5 Minutes
- 5 2 - 600 Seconds / 10 Minutes
- 6 4 - 1200 Seconds / 20 Minutes

OUTPUT _____

- A Relay DPDT (timed) - 2 Form C
- B Relay 6PDT (timed) - 6 Form C
- C Relay DPDT (timed) 2 Form C - 4PDT (Instant) - 4 Form C

NOTE: Both B & C outputs are only available in time ranges from 1 thru 4

SPECIFICATIONS

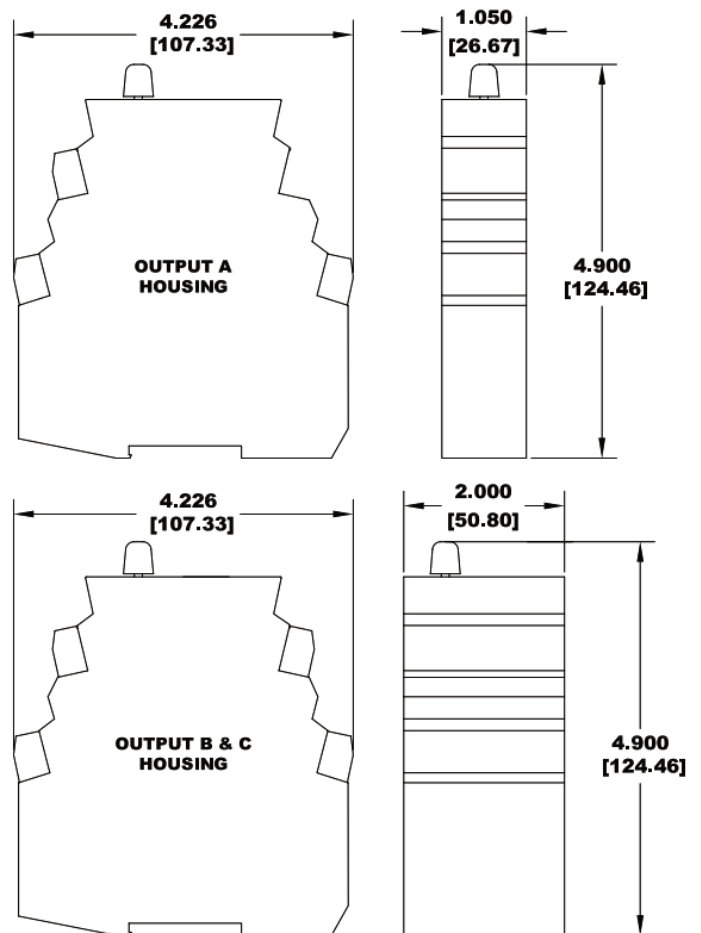
INPUT
VOLTAGE: 18 to 72 VAC/DC
 90 to 300 VAC / 120 to 320 VDC
 80 to 160 VAC / 45 to 155 VDC
POWER CONSUMPTION: 9W maximum
TRANSIENT PROTECTION: TVS

OUTPUT
TYPE: Electromechanical Relay
RATING: 10A @ 28 VDC (Max)
 3A @ 37 VDC
 0.5A @ 100 VDC
 0.4A @ 150 VDC
 0.3A @ 300 VDC
 10A @ 250 VAC (Max)

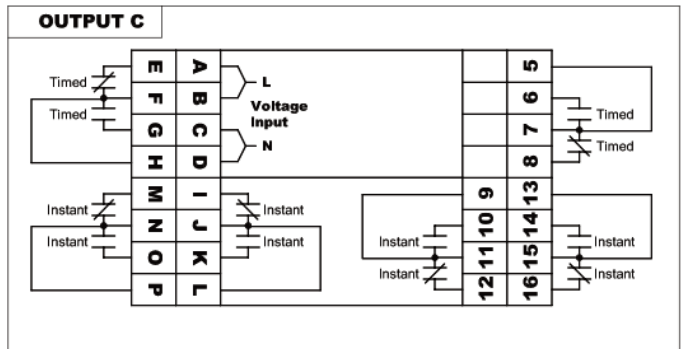
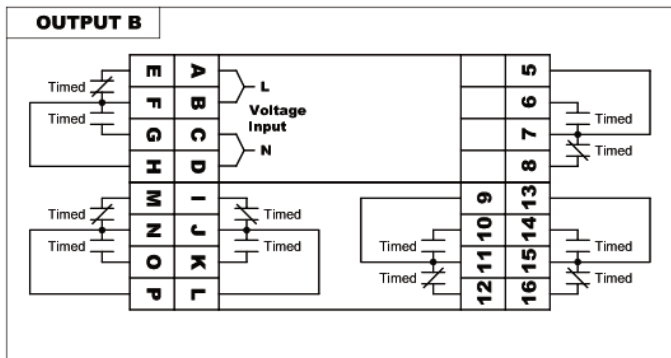
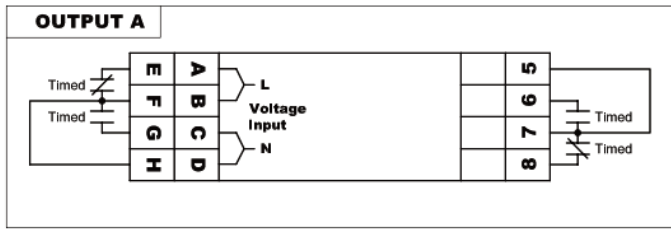
TIMING
TIMING FUNCTION: True Off Delay
REPEAT ACCURACY: +/- 1% of setting
RESET TIME: 0.1 Second minimum
INDICATION: LED "on" when power applied
RANGE TOLERANCE: ≤ 10%

PHYSICAL
OPERATING TEMP: -30°C to +73.9°C (-22° to 165°F)
TIMING VARIATION VS TEMP: -/+20% maximum
MOUNTING: Din-Rail 35mm
HOUSING: Plastic - Polycarbonate
TERMINATION: Finger-safe connectors - IP20 Rating

DIMENSIONS INCHES(MM)



WIRING



GENERAL CHARACTERISTICS

- MAXIMUM WIRE SIZE:** 12 AWG
- MINIMUM WIRE SIZE:** 26 AWG
- CONNECTION METHOD:** Screw connection with tension sleeve
- WIRE TERMINATION:** 12 Awg (using wire pin terminals), Ferrules (for wire 14 Awg to 26 AWG),
- DIN RAIL SIZE:** 35mm

TIMING FUNCTION

Upon applying input voltage, the output is energized. When the input voltage is removed, the time delay (td) begins. At the end of the time delay (td), the output is de-energized. Input voltage must be applied for a minimum amount of time to assure proper operation at all ranges, see minimum on times for each output/range.

- | | |
|---------------------------------------|---|
| Output A | Output B & C |
| Time Range 1: 0.1 sec minimum on time | Time Range 1: 0.125 sec minimum on time |
| 2: 0.125 sec minimum on time | 2: 0.25 sec minimum on time |
| 3: 0.25 sec minimum on time | 3: 0.5 sec minimum on time |
| 4: 0.5 sec minimum on time | 4: 1 sec minimum on time |
| 5: 1 sec minimum on time | |
| 6: 2 sec minimum on time | |

Any application of the input voltage during the time delay (td) will reset the time delay. No external trigger is required.

ACCESSORIES

- ORANGE TERMINAL BLOCK:** RP-350
- POTENTIOMETER KNOB:** RP-353
- DIN CLIP (SINGLE HOUSING):** RP-351
- DIN CLIP (DOUBLE HOUSING):** RP-352