

MODEL 1514
DIN RAIL MOUNT

INDUSTRIAL SOLID STATE
CONTROLS



Kanson Electronics, Inc.



On Delay - Pole Disagreement Timer
Din Rail Mount, Continuous Duty,
Reset Button, Remote Reset, Remote LED,
with built in LED indicator.

The **1514** is a on-delay pole disagreement timer, built specifically for continuous duty operation. For electric utility applications capable of high voltage DC switching. Din-Rail mounted housing with finger-safe electrical connectors - IP20 Rating Reinforced Isolation for Relays (Sealed Relays) Timed and Instantaneous contacts

ORDERING DATA

ORDERING CODES 1514 - A - 4 - B

BASIC MODEL NUMBER 1514

INPUT VOLTAGE
A 18 to 72 VAC/DC
B 90 to 300 VAC / 120 to 320 VDC
C 80 to 160 VAC / 45 to 155 VDC

TIME RANGE
1 1.5 - 30 Cycles
2 1.5 - 45 Cycles
3 1.5 - 60 Cycles
4 1.5 - 120 Cycles
7 0.5 - 30 Seconds
8 0.5 - 60 Seconds / 1 Minute
9 0.5 - 120 Seconds / 2 Minutes
10 0.5 - 300 Seconds / 5 Minutes

OUTPUT
A Relay DPDT (timed) - 2 Form C
B Relay 6PDT (timed) - 6 Form C
C Relay DPDT (timed) 2 Form C - 4PDT (Instant)-4 Form C

OPTIONAL
-W Fixed time (Customer to specify time)

SPECIFICATIONS

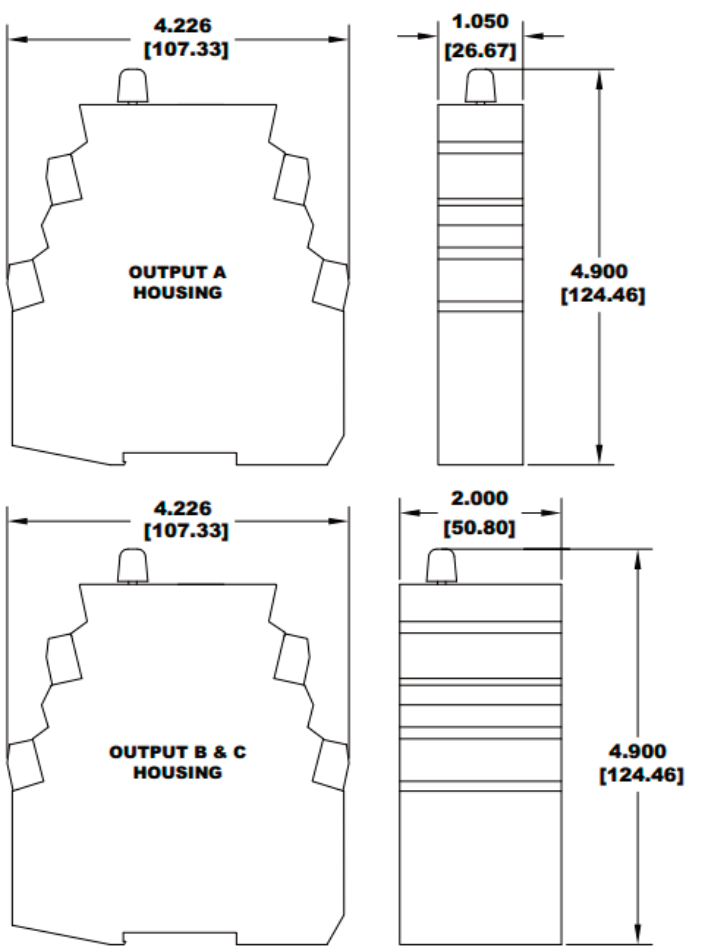
INPUT
VOLTAGE: 18 to 72 VAC/DC
90 to 300 VAC / 120 to 320 VDC
80 to 160 VAC / 45 to 155 VDC
POWER CONSUMPTION: 6W maximum
TRANSIENT PROTECTION: TVS

OUTPUT
TYPE: Electromechanical Relay
RATING: 10A @ 28 VDC (Max)
3A @ 37 VDC
0.5A @ 100 VDC
0.4A @ 150 VDC
0.3A @ 300VDC
10A @ 250 VAC (Max)

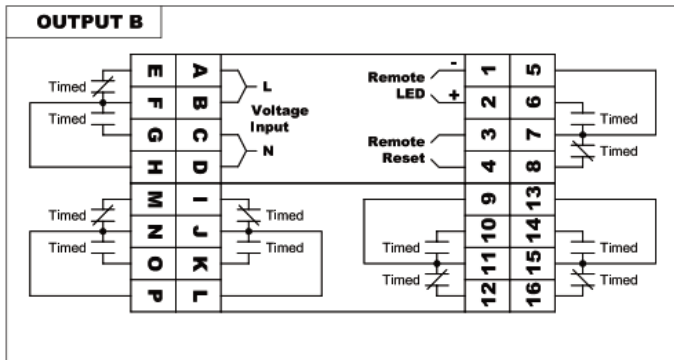
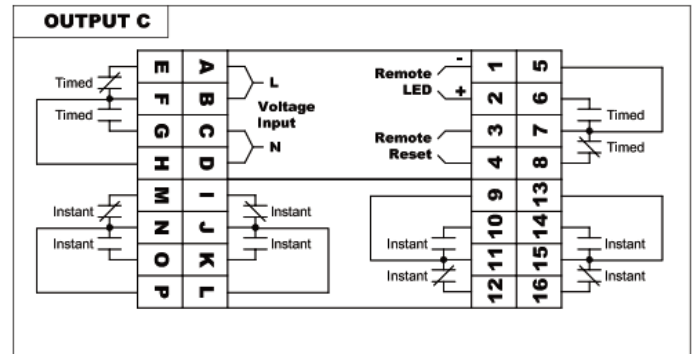
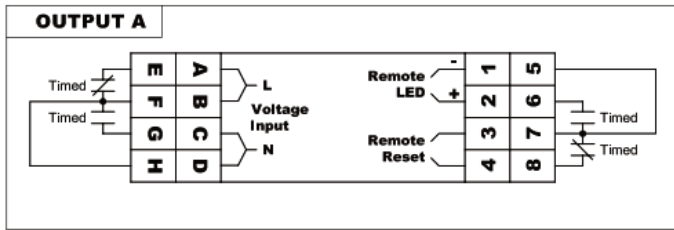
TIMING
TIMING FUNCTION: On Delay
REPEAT ACCURACY: +/- 1% of setting
RESET TIME: 0.1 Second minimum
INDICATION: LED "on" when timing is complete
RANGE TOLERANCE: ≤ 10%

PHYSICAL
OPERATING TEMP: -30°C to +73.9°C (-22° to 165°F)
TIMING VARIATION VS TEMP: +/- 10% maximum
MOUNTING: Din-Rail 35mm
HOUSING: Plastic - Polycarbonate
TERMINATION: Finger-safe connectors - IP20 Rating

DIMENSIONS INCHES(MM) +/- .050"



WIRING



1. Never apply voltages to the following terminals 3-4-1-2
2. Short between terminals 3-4 to use remote reset

GENERAL CHARACTERISTICS

MAXIMUM WIRE SIZE: 12 AWG
MINIMUM WIRE SIZE: 26 AWG
CONNECTION METHOD: Screw connection with tension sleeve
WIRE TERMINATION: 12 Awg (using wire pin terminals), Ferrules (for wire 14 Awg to 26 Awg)
DIN RAIL SIZE: 35mm

TIMING FUNCTION

Upon application of input voltage, the time delay begins. At the end of the time delay, the output is energized and the LED turns on. Input voltage must be removed or reset button pressed to reset the time delay relay and de-energize the output and LED. Any removal of the input voltage during the time delay or reset button pressed will reset the time delay. No external trigger is required.

ACCESSORIES

PANEL MOUNT LED: RP-219
PANEL MOUNT RESET PUSHBUTTON: RP-220
ORANGE TERMINAL BLOCK: RP-350
POTENTIOMETER KNOB: RP-353
DIN CLIP (SINGLE HOUSING): RP-351
DIN CLIP (DOUBLE HOUSING): RP-352