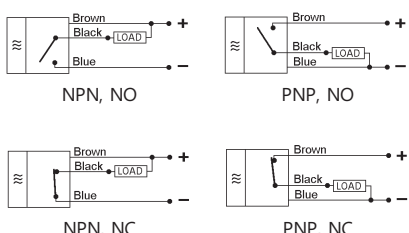
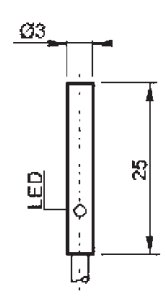
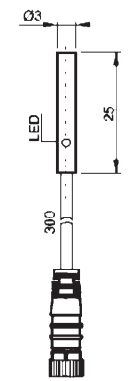


Output Function	NPN, NO	T03-D310-F	T03-D313-F
	PNP, NO	T03-D410-F	T03-D413-F
	NPN, NC	T03-D510-F	T03-D513-F
	PNP, NC	T03-D610-F	T03-D613-F
<p>3 mm Diameter Short Body Stainless steel non-threaded body with cable or integral connector to simplify installation.</p> 			
Operating Distance	1 mm		
Power Supply	10 - 30 VDC		
Power Drain	< 8 mA		
Voltage Drop (on state)	< 1.5 V		
Switching Current (max)	100 mA		
Short Circuit Protection	Yes		
Operating Frequency	2 kHz		
Repeatability	≤ 1%		
Case	Stainless Steel		
Flush Mounting	Yes		
Protection Degree	IP 67		
Operating Temperature	-25°C to +70°C		
Output Connection	Cable: PVC, 22 AWG, 2 m long	Connector - RP-526	

