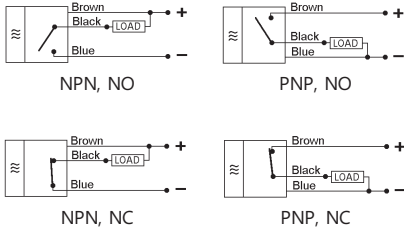


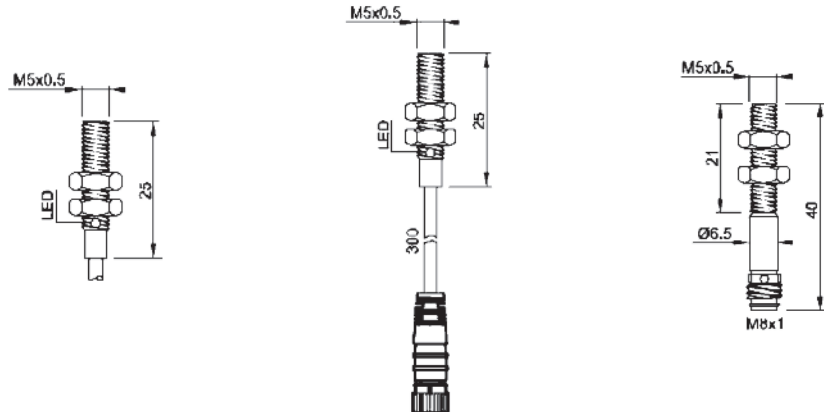
Output Function	NPN, NO	T05-D311-F	T05-D323-F	T05-D314-F
	PNP, NO	T05-D411-F	T05-D423-F	T05-D414-F
	NPN, NC	T05-D511-F	T05-D523-F	T05-D514-F
	PNP, NC	T05-D611-F	T05-D623-F	T05-D614-F

5 mm Diameter Extended Distance

Threaded body with cable.
DC 3 wire.



CE RoHS

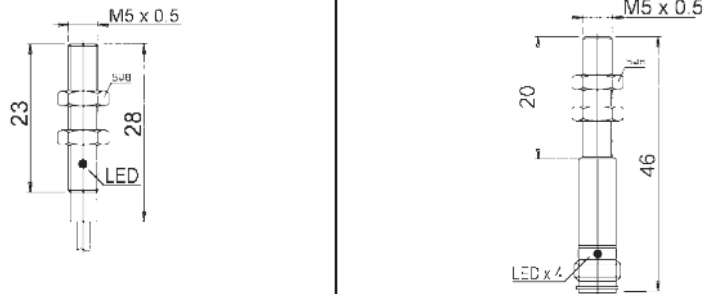
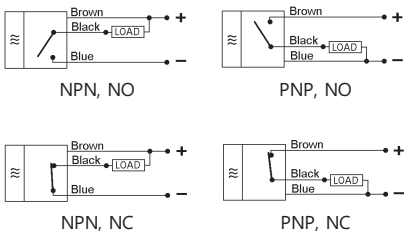


Operating Distance	1.5 mm
Power Supply	10 - 30 VDC
Power Drain	< 8 mA
Voltage Drop (on state)	< 1.5 V
Switching Current (max)	200 mA max.
Short Circuit Protection	Yes
Operating Frequency	2 kHz max.
Repeatability	≤ 1%
Case	Stainless Steel
Flush Mounting	Yes
Protection Degree	IP 67
Operating Temperature	-25°C to +75°C
Output Connection	Cable: PVC, 22 AWG, 2 m long Connector - RP-522

Output Function	NPN, NO	T05-D310-F	T05-D313-F
	PNP, NO	T05-D410-F	T05-D413-F
	NPN, NC	T05-D510-F	T05-D513-F
	PNP, NC	T05-D610-F	T05-D613-F

5 mm Diameter

Threaded body with cable or integral connector to simplify installation. DC 3 wire.



Operating Distance	0.8 mm
Power Supply	6 - 30 VDC
Power Drain	< 10 mA
Voltage Drop (on state)	< 1.4 V
Switching Current (max)	150 mA max.
Short Circuit Protection	YES
Operating Frequency	2 kHz max.
Repeatability	≤ 3%
Case	Stainless Steel
Flush Mounting	Yes
Protection Degree	IP 67
Operating Temperature	-25°C to +70°C
Output Connection	Cable: PVC, 22 AWG, 2 m long Connector - RP-522

CE RoHS